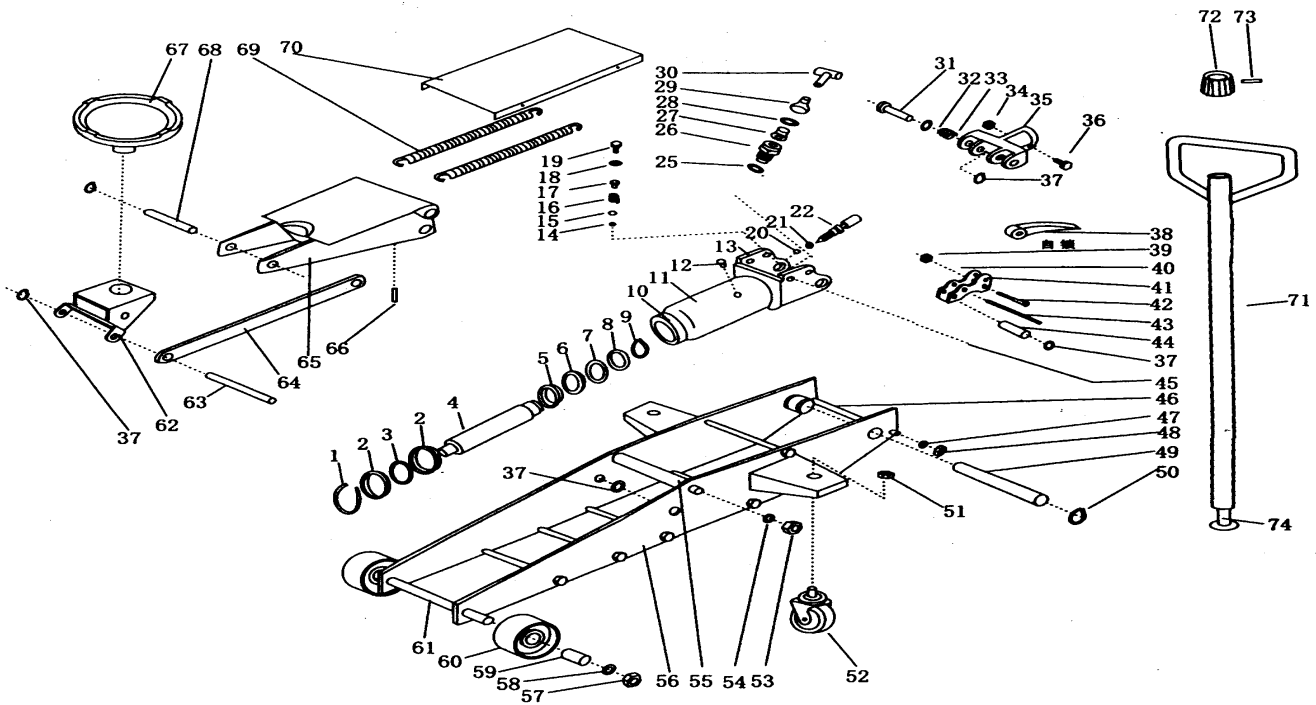


- Onderdelen -
 - Spare parts -
 - Pièces de rechange -
 - Ersatzteile -



Y420200

Pos.	Art.no.	Description	Pos.	Art.no.	Description
1	Y420200-1	ring snap	43	Y420200-43	pedal rod
2	Y420200-2	washer	44	Y420200-44	rod
3	Y420200-3	O-ring	45	Y420200-45	rod
4	Y420200-4	pressure piston	46	Y420200-46	rod
5	Y420200-5	pressure piston ring	47	Y420200-47	spring washer
6	Y420200-6	sealing washer	48	Y420200-48	nut
7	Y420200-7	O-ring	49	Y420200-49	rod
8	Y420200-8	O-ring retainer	50	Y420200-50	ring snap
9	Y420200-9	ring snap	51	Y420200-51	M12x1.25 lock-nut
10	Y420200-10	cylinder	52	Y420200-52	rear wheel
11	Y420200-11	housing	53	Y420200-53	M18x1.5 nut
12	Y420200-12	oil filler plug	54	Y420200-54	18mm spring washer
13	Y420200-13	cylinder base	55	Y420200-55	arm shaft
14	Y420200-14	4mm steel ball	56	Y420200-56	frame
15	Y420200-15	spring seat	57	Y420200-57	M16x1.5 nut
16	Y420200-16	spring	58	Y420200-58	washer
17	Y420200-17	over pressure valve	59	Y420200-59	shaft sleeve
18	Y420200-18	sealing washer	60	Y420200-60	front wheel
19	Y420200-19	over pressure valve plug screw	61	Y420200-61	front wheel shaft
20	Y420200-20	6mm steel ball	62	Y420200-62	saddle base
21	Y420200-21	O-ring	63	Y420200-63	rod
22	Y420200-22	release valve rod	64	Y420200-64	rod link
25	Y420200-25	washer	65	Y420200-65	arm
26	Y420200-26	pump cylinder	66	Y420200-66	pin
27	Y420200-27	Y-ring	67	Y420200-67	saddle
28	Y420200-28	O-ring	68	Y420200-68	rod
29	Y420200-29	dirt-proof boot	69	Y420200-69	spring
30	Y420200-30	pump plunger	70	Y420200-70	cover
31	Y420200-31	pin rod	71	Y420200-71	handle
32	Y420200-32	washer	72	Y420200-72	handle knob
33	Y420200-33	torsion spring	73	Y420200-73	pin
34	Y420200-34	M10 nut	74	Y420200-74	convey rod
35	Y420200-35	handle socket			
36	Y420200-36	M10x50 bolt	FW	Y420200-FW	front wheel kit
37	Y420200-37	E type washer	PU	Y420200-PU	power unit
38	Y420200-38	pedal	RK	Y420200-RK	repair kit
39	Y420200-39	M10 lock-nut	RW	Y420200-RW	rear wheel kit
40	Y420200-40	spring washer			
41	Y420200-41	pedal link			
42	Y420200-42	M10x50 bolt			